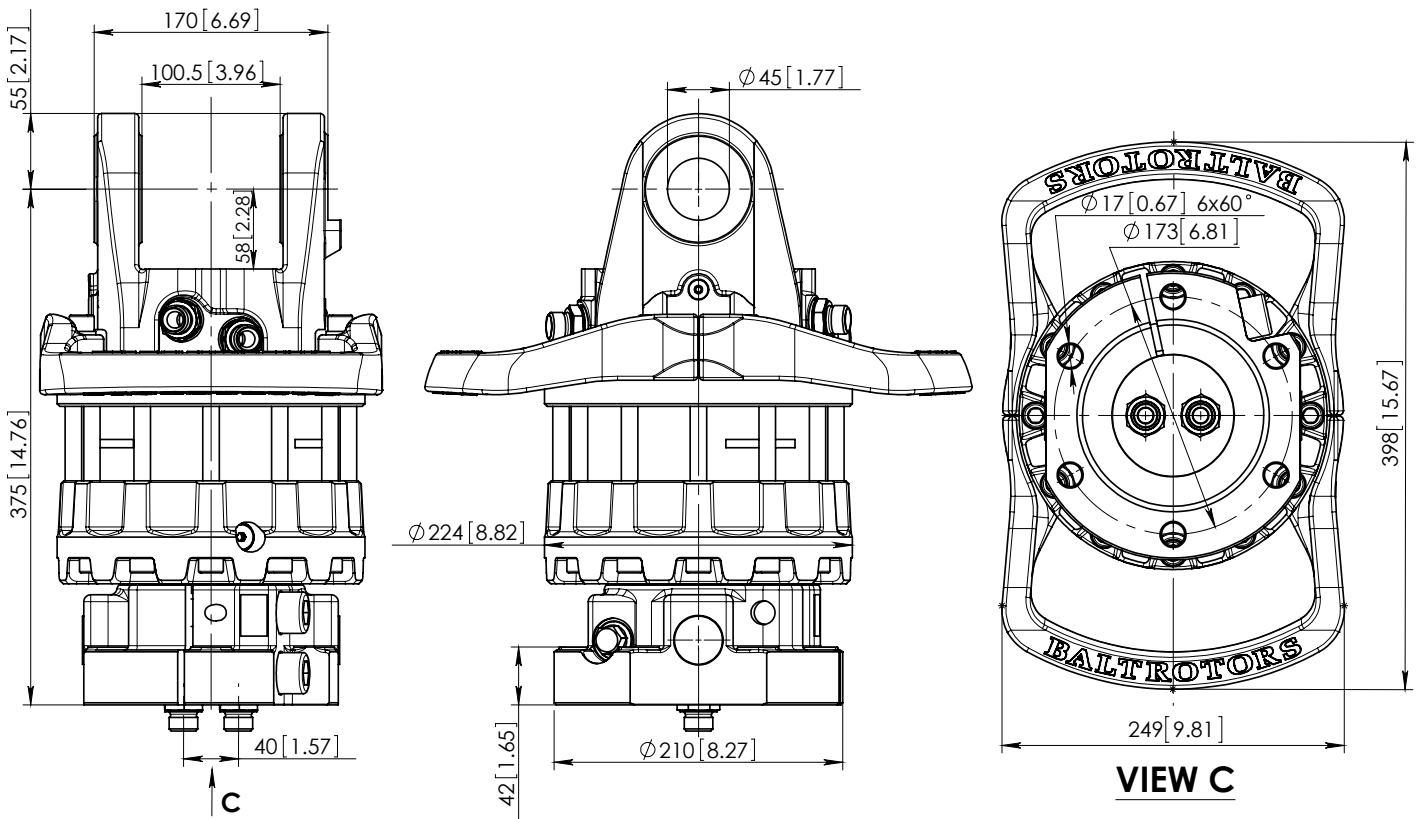


# ROTATOR GR16S-2



## Technical data

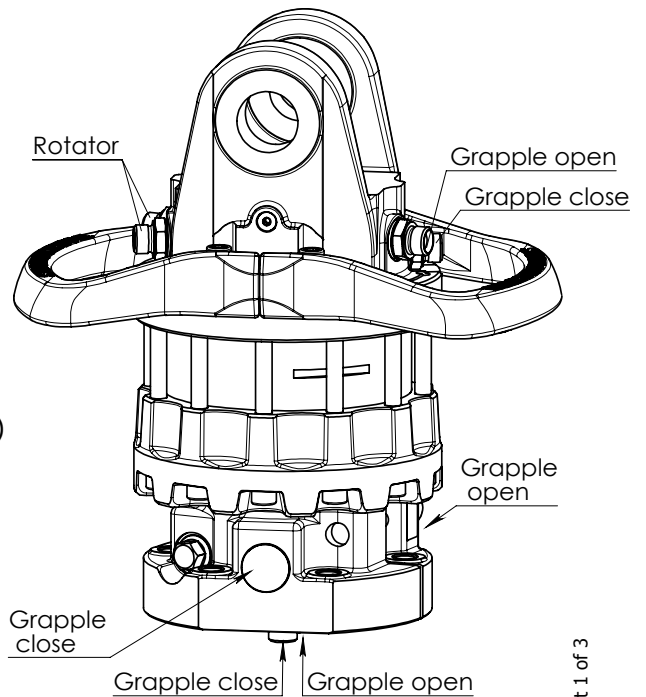
|                                       |                              |
|---------------------------------------|------------------------------|
| Rotation                              | Unlimited                    |
| Max axial load static, KN (lbf)       | +160 (35976)<br>- 90 (20236) |
| Max axial load dynamic, KN (lbf)      | +80 (17988)<br>- 45 (10118)  |
| Torque at 25Mpa (3625psi), Nm (lb ft) | 3400 (2500)                  |
| Rec oilflow, l/min (US gallon)        | 40 (10.6)                    |
| Weight, kg (lb)                       | 75 (166)                     |

### Max working pressure:

|                      |     |                       |
|----------------------|-----|-----------------------|
| Rotator              | ←R→ | Max 25 MPa (3625 psi) |
| Grapple / Tool open  | ←G→ | Max 30 MPa (4350 psi) |
| Grapple / Tool close | →G← | Max 30 MPa (4350 psi) |

### Connection:

|       |
|-------|
| G 1/2 |
| G 1/2 |
| G 1/2 |



Sheet 1 of 3  
20.03.2014